



761 512



Ansley 52 in Ceiling Fan Owner's Manual

**Ansley
Ventilador de Techo de 1,32 m
Manual del Propietario**



52” Ansley Ceiling Fan by Hampton Bay

Thank you for purchasing our ceiling fan. This product has been manufactured with the highest standards of safety and quality.

Date Purchased _____

Store Purchased _____

UL Model No. _____ 761-512

Serial No. _____

Vendor No. _____ 11289

UPC _____ 792145352792

Table of Contents

Safety Rules	1
Unpacking Your Fan	2
Installing Your Fan	3
Operating Your Transmitter	11
Care of Your Fan	13
Troubleshooting	13
Specifications	14
Warranty Information	15

Safety Rules - Read and Save These Instructions

1. To reduce the risk of electric shock, insure electricity has been turned off at the circuit breaker or fuse box before beginning.
2. All wiring must be in accordance with the National Electrical Code “ANSI/NFPA 70-1999” and local electrical codes. Electrical installation should be performed by a qualified licensed electrician.
3. **WARNING:** To reduce the risk of electrical shock or fire, do not use this fan with any solid-state fan speed control device. It will permanently damage the electronic circuitry.
4. **CAUTION:** To reduce the risk of personal injury, use only the screws provided with the outlet box.
5. The outlet box and support structure must be securely mounted and capable of reliably supporting a minimum of 35 pounds, Use only UL Listed outlet boxes marked “FOR FAN SUPPORT.”
6. The fan must be mounted with a minimum of 7 feet clearance from the trailing edge of the blades to the floor.
7. Avoid placing objects in path of the blades.
8. To avoid personal injury or damage to the fan and other items, be cautious when working around or cleaning the fan.
9. Do not use water or detergents when cleaning the fan or fan blades. A dry dust cloth or lightly dampened cloth will be suitable for most cleaning.
10. After making electrical connections, spliced conductors should be turned upward and pushed carefully up into outlet box. The wires should be spread apart with the grounded conductor and the equipment-grounding conductor on one side of the outlet box and ungrounded conductor on the other side of the outlet box.
11. All set screws must be checked and retightened where necessary before installation.

WARNING

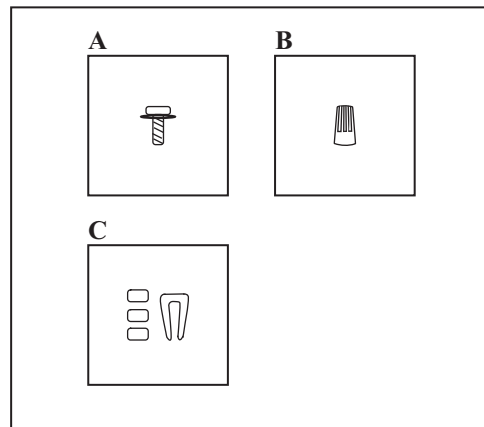
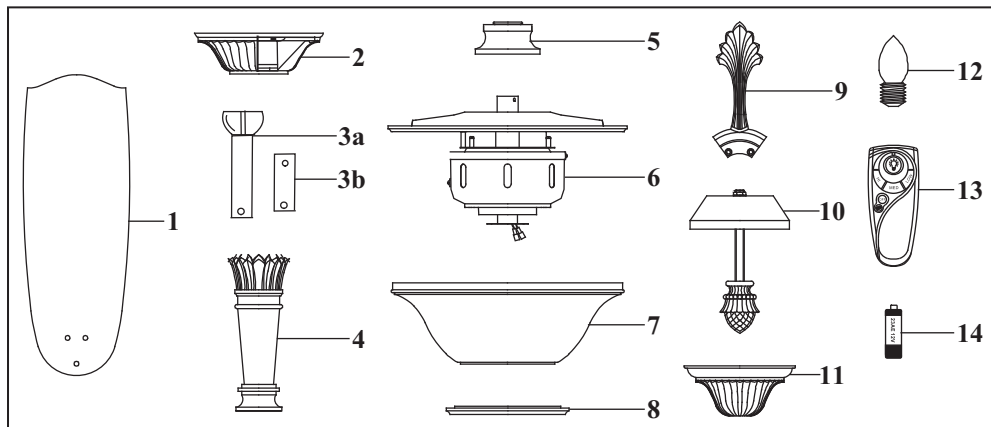
TO REDUCE THE RISK OF PERSONAL INJURY, DO NOT BEND THE BLADE ARMS (ALSO REFERRED TO AS FLANGES), WHEN INSTALLING THE BRACKETS, BALANCING THE BLADES OR CLEANING THE FAN. DO NOT INSERT FOREIGN OBJECTS IN – BETWEEN ROTATING FAN BLADES.

WARNING

TO REDUCE THE RISK OF FIRE, ELECTRIC SHOCK OR PERSONAL INJURY, MOUNT FAN TO OUTLET BOX MARKED ACCEPTABLE FOR FAN SUPPORT WITH THE SCREWS PROVIDED WITH THE OUTLET BOX.

Unpacking Your Fan

Unpack your fan and check the contents. You should have the following items:



1. Set of blades (5)
2. Canopy assembly
- 3a. Standard downrod assembly
- 3b. Minimum-length downrod (for close to ceiling mounting only)
4. Arrow style decorative downrod
5. Coupling cover (for close to ceiling mounting)
6. Fan motor assembly
7. Glass housing
8. Glass housing plate
9. Blade arms (5)
10. Decorative plate with nut
11. Decorative cover
12. 15 Watt candelabra bulbs (6)
13. Transmitter+holder+2 mounting screws
14. 12V MN21/A23 battery

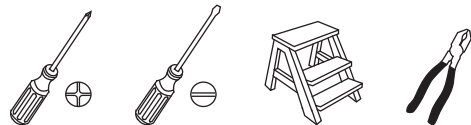
- A. Blade Attachment Hardware
(16 Screws with Fiber Washers)
- B. Electrical Hardware
(3 Plastic Wire Nuts)
- C. Balance Kit

WARNING
DO NOT INSTALL OR USE FAN IF ANY
PART IS DAMAGED OR MISSING.
CALL TOLL FREE 1-877-898-1881.

Installing Your Fan

Tools Required

Phillips screwdriver, straight slot screwdriver, step ladder and wire cutters.



Mounting Options

If there isn't an existing UL listed mounting box, then read the following instructions. Disconnect the power by removing fuses or turning off circuit breakers.

Secure the outlet box directly to the building structure. Use appropriate fasteners and building materials. The outlet box and its support must be able to fully support the moving weight of the fan (at least 35 lbs). Do not use plastic outlet boxes.

WARNING

TO REDUCE THE RISK OF FIRE, ELECTRIC SHOCK OR PERSONAL INJURY, MOUNT FAN ONLY TO AN OUTLET BOX MARKED ACCEPTABLE FOR FAN SUPPORT AND USE THE MOUNTING SCREWS PROVIDED WITH THE OUTLET BOX. OUTLET BOX COMMONLY USED FOR THE SUPPORT OF LIGHTING FIXTURE MAY NOT BE ACCEPTABLE FOR FAN SUPPORT AND MAY NEED TO BE REPLACED. CONSULT A QUALIFIED ELECTRICIAN IF IN DOUBT.

Figures 1~3 are examples of different ways to mount the outlet box.

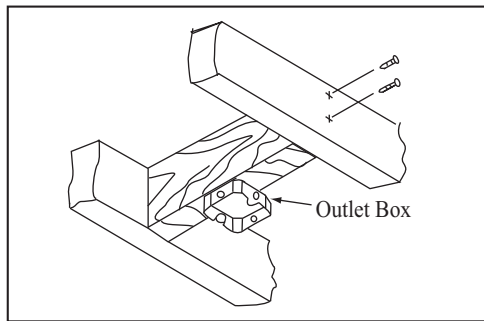


Figure 1

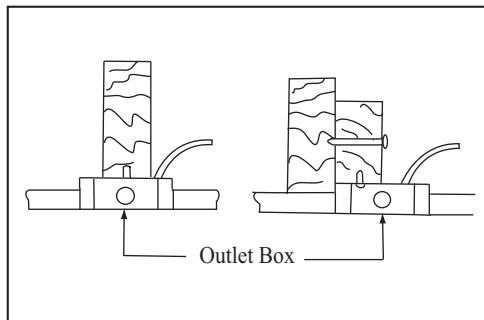


Figure 2

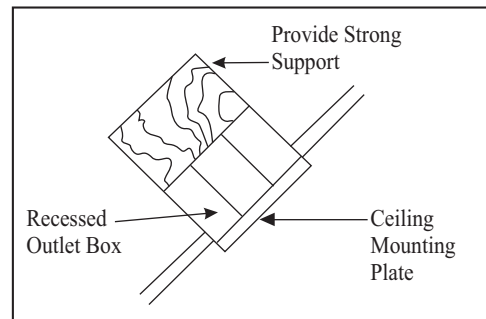


Figure 3

Note: You may need a longer downrod to maintain proper blade clearance when installing on a steep, sloped ceiling. The maximum angle allowable is 24°. If the canopy touches downrod, remove the decorative canopy bottom cover and turn the canopy 180° before attaching the canopy to the mounting plate.

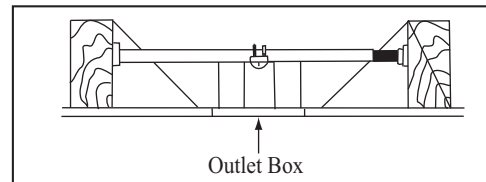


Figure 4

To hang your fan where there is an existing fixture but no ceiling joist, you may need an installation hanger bar as shown in Figure 4 (available at any Home Depot store).

Hanging the Fan

REMEMBER to turn off the power. Follow the steps below to hang your fan properly.

1. Remove the decorative canopy bottom cover from the canopy by turning the cover clockwise. (Figure 5)
2. Remove the mounting bracket from the canopy by loosening the two screws on the bottom of the mounting bracket a half turn from the screw head and turning the canopy clockwise. (Figure 5)
3. Remove the clevis pin, cotter pin and set screws from the top of the motor assembly. (Figure 6)
4. Route wires exiting from the top of the fan motor through the coupling cover, canopy cover, canopy and then through the ball/downrod. (Figure 6)
5. Align the holes at the bottom of the downrod with the holes in the coupling on top of the motor housing (Figure 6). Carefully insert the clevis pin through the holes in the collar and downrod. Be careful not to jam the clevis pin against the wiring inside the downrod. Insert the cotter pin through the hole near the end of the clevis pin until it snaps into its locked position, as noted in the circle inset of Fig. 6.

6. Tighten two set screws at top of the fan motor collar firmly and evenly. (Fig. 6)

WARNING

FAILURE TO PROPERLY INSTALL COTTER PIN AS NOTED IN STEP 5 COULD RESULT IN FAN LOOSENING AND POSSIBLY FALLING.

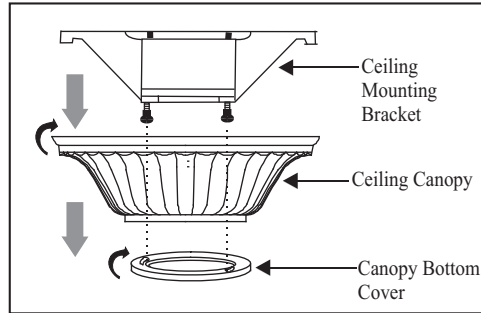


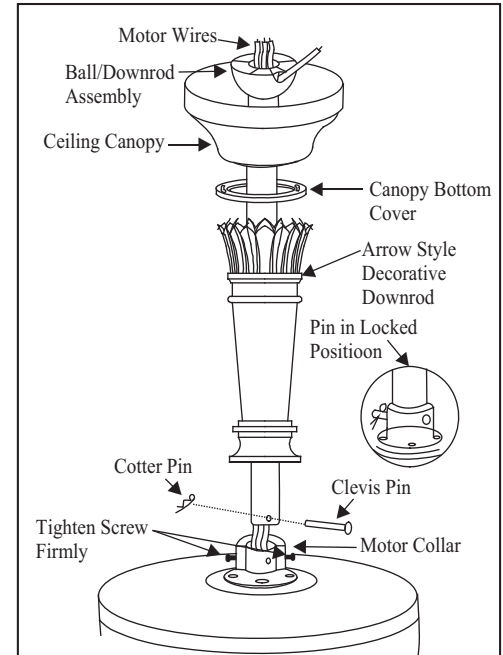
Figure 5

CHANGING THE DOWNROD

NOTE: Your fan comes with a 13" downrod attached to the hanging ball to use with the arrow style decorative downrod (See Fig. 6). In addition, you have been provided with a 4-1/2" downrod to use on lower ceilings without decorative arrow downrod cover. (See Fig. 6A)

Installing the fan with the arrow style decorative downrod (with 13" downrod) (Recommend min. 9 ft. ceiling height).

Follow the Figure 6 and continue on section titled "Hanging the Fan" for installation.

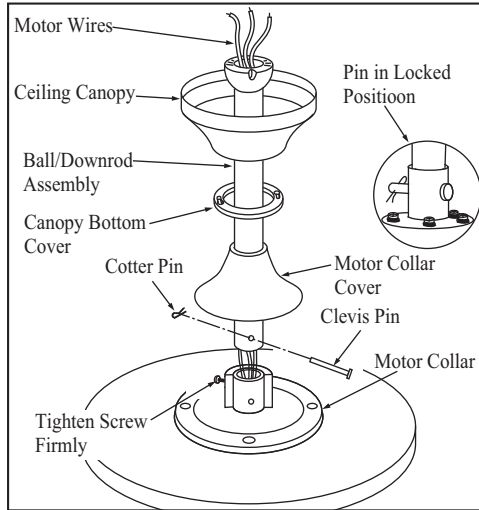


With 13" Downrod

Figure 6

Installing the fan without arrow style decorative downrod (with 4-1/2" downrod) (Recommend min. 8.25 ft ceiling height).

1. Remove the hanger ball from the 13" downrod by loosening the set screw at the top of the downrod which holds the hanger ball to the downrod.
2. Slide the hanger ball down the downrod and remove the support pin.
3. Reinstall the ball to the 4-1/2" downrod.
4. Remove the clevis pin, cotter pin and set screws from the top of the motor assembly.
5. Route wires exiting from the motor collar through the collar cover, canopy cover, canopy and then through the ball/downrod (Fig. 6A).
6. Follow the steps 5 & 6 in section titled "Hanging the Fan" for installation.



With 4 1/2" Downrod

Figure 6A

Installing Fan to the Electrical Box

WARNING

TO REDUCE THE RISK OF FIRE, ELECTRIC SHOCK OR OTHER PERSONAL INJURY. MOUNT FAN ONLY TO AN OUTLET BOX OR SUPPORTING SYSTEM MARKED ACCEPTABLE FOR FAN SUPPORT AND USE THE MOUNTING SCREWS PROVIDED WITH THE OUTLET BOX.

1. Pass the 120-volt supply wires through the center hole in the ceiling mounting bracket as shown in Figure 7.
2. Install the ceiling mounting bracket on the outlet box with the screws and washers provided with your outlet box (Figure 7).
3. Security tighten the two mounting screws.
4. Carefully lift the fan assembly up to the ceiling mounting bracket and seat the hanger ball in the mounting bracket socket. Make sure the tab on the mounting bracket socket is properly seated in the groove in the hanger ball (Figure 8). This will help to balance the ceiling fan.

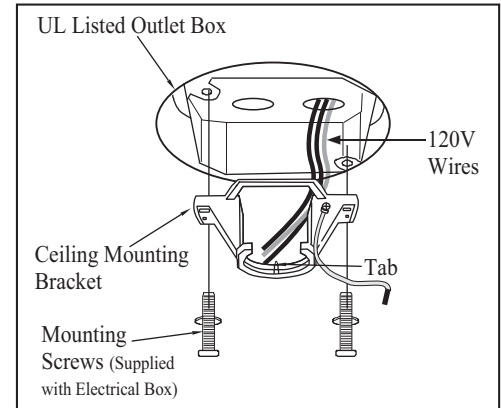


Figure 7

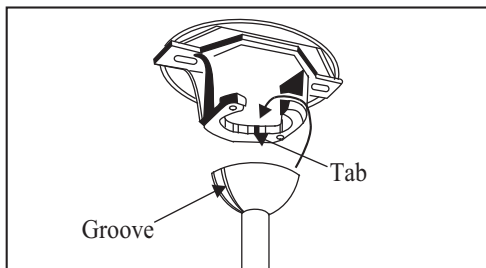


Figure 8

WARNING

THE TAB IN THE RING MUST REST IN THE GROOVE OF THE HANGER BALL AS FIGURE 8. FAILURE TO PROPERLY SEAT THE TAB IN THE GROOVE COULD CAUSE DAMAGE TO WIRING.

Making the Electrical Connections

WARNING

TO AVOID POSSIBLE ELECTRICAL SHOCK, BE SURE ELECTRICITY IS TURNED OFF AT THE MAIN FUSE BOX BEFORE WIRING.

If you feel you do not have enough electrical wiring knowledge or experience, have your fan installed by a licensed electrician.

Follow the steps below to connect the fan to your household wiring. Use the wire nuts supplied with your fan. Secure the wire nuts with electrical tape. Make sure there are no loose strands or connections.

1. Connect the fan supply (black) wire to the black household supply wire as shown in Figure 9.
2. Connect the neutral fan (white) wire to the white neutral household wire.
3. Connect the fan ground wire (green) to the household ground wire.
4. After connecting the wires, spread them apart so that the green and white wires are on one side of the outlet box and the black wires are on the other side.
5. Turn the wire nut connections upward and push the wiring into the outlet box.

CAUTION

DO NOT USE WITH WALL LIGHT DIMMER SWITCH.

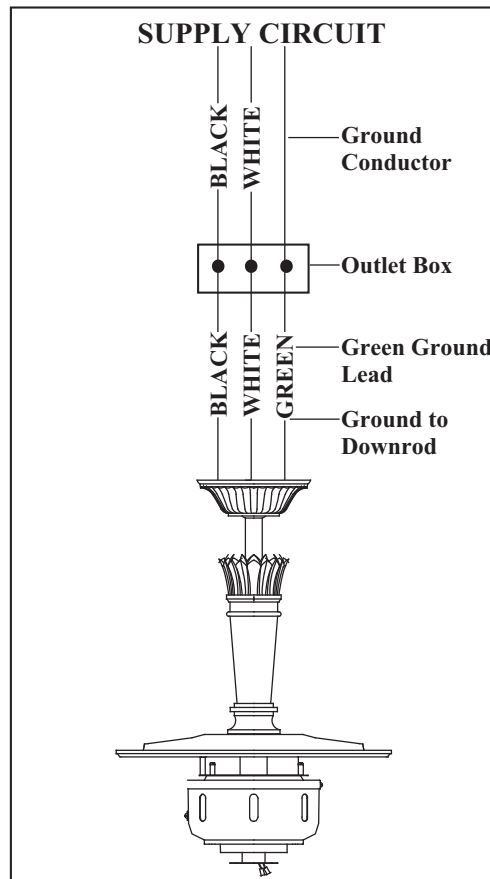


Figure 9

Finishing the Fan Installation

1. Tuck connections neatly into ceiling outlet box.
2. Slide the canopy up to ceiling and over the 2 screws on the mounting bracket. Rotate canopy clockwise. Next, while holding the canopy with one hand, slide the canopy cover over the screws and rotate clockwise until tight. **Note:** Adjust the canopy screws as necessary until the canopy and canopy cover are snug. (Fig. 10)

WARNING

MAKE SURE THE TAB ON THE HANGER BRACKET PROPERLY SITS IN THE GROOVE IN THE HANGER BALL BEFORE ATTACHING THE CANOPY TO THE BRACKET BY TURNING THE HOUSING UNTIL IT DROPS INTO PLACE.

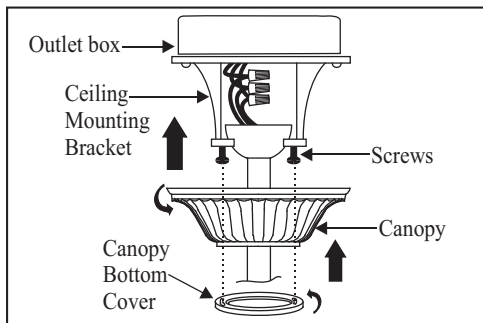


Figure 10

Installing the Light Bulbs & Glass Shade

1. Install 6 x15W (Max.) bulbs (provided).
2. Remove 1 of the 3 screws from the motor housing, loosen the other 2 screws (Do not remove). (Figure 11)
3. Place the glass housing plate onto glass housing as figure 11.
4. Raise and hold the glass housing assembly close to the motor housing, place the glass housing plate key holes over the 2 screws previously loosened from the motor housing, turn the glass housing plate until it locks in the place of the narrow section of the key

holes. Secure the glass housing assembly by tightening the 2 screws loosened and the one removed previously. (Fig. 11)

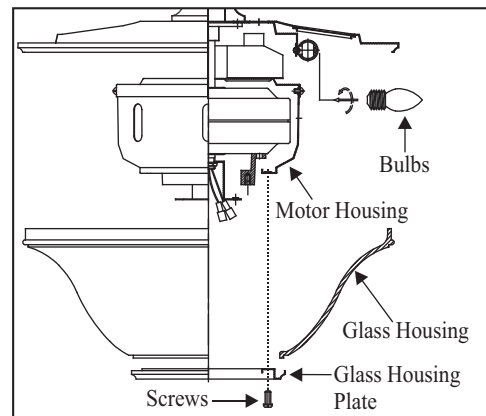


Figure 11

Attaching the Fan Blades

1. Attach blades to blade arms using three screws with fiber washers (Fig. 12). Start a screw into the blade arm, do not tighten. Repeat for the 2 remaining screws and washers.
2. Tighten each screw securely starting with the center screw. Make sure the blade is straight. Repeat steps for the remaining blades.
3. Fasten the blade assemblies to the motor housing by lining up the slots of the blade arms with the tabs on the motor housing, then tighten the two screws and washers already installed in the blade arms (Fig. 13).

WARNING

TO REDUCE THE RISK OF PERSONAL INJURY, DO NOT BEND THE BLADE ARMS WHILE INSTALLING, BALANCING THE BLADES, OR CLEANING THE FAN. DO NOT INSERT FOREIGN OBJECTS BETWEEN ROTATING FAN BLADES.

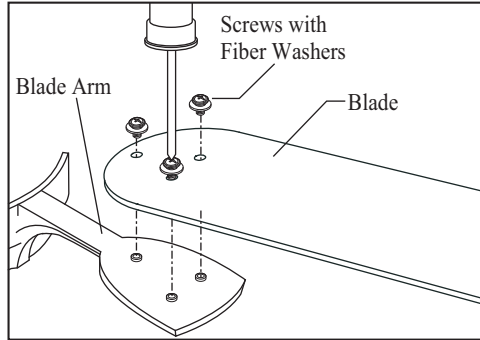


Figure 12

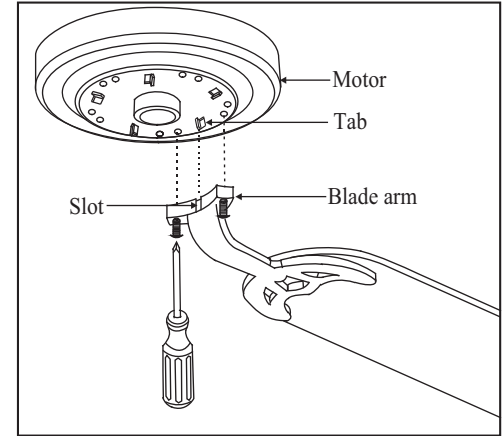


Figure 13

Blade Balancing

The following procedure should correct most fan wobble. Check after each step.

1. Check that all blade and blade bracket screws are secure.
2. Most fan wobble problems are caused when blade levels are unequal. Check this level by selecting a point on the ceiling above the tip of one of the blades. Measure from a point on the center of each blade to the point on the ceiling. Measure this distance as shown in Figure 14. Rotate the fan until the next blade is positioned for measurement. Repeat for each blade. Measurements deviation should be within $1/8"$. Run the fan for 10 Minutes.
3. Use the enclosed Blade Balancing Kit if the blade wobble is still noticeable.

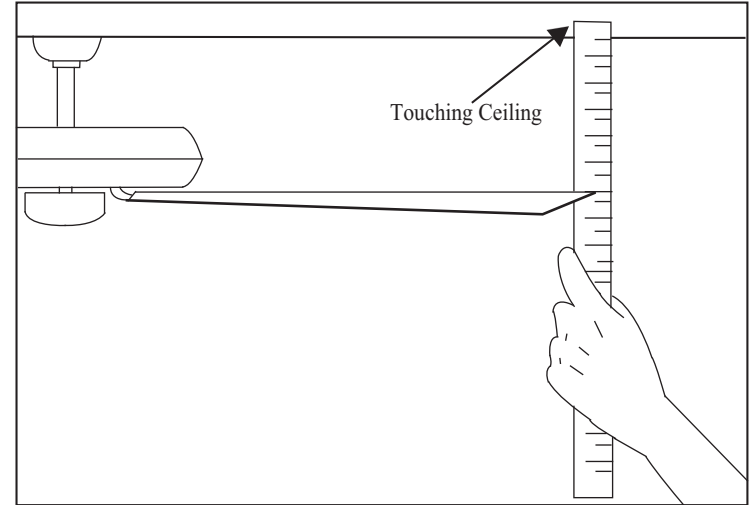


Figure 14

Installing the Decorative Cover

REMEMBER: In order to install the decorative cover, the fan blades must already be attached to the fan.

1. Remove 1 of the 3 screws from the mounting ring, loosen the other 2 screws (Do not remove). (Fig. 15)
2. Place the key holes on the decorative plate over the 2 screws previously loosened from the mounting ring, turn the decorative plate until it locks in the place of the narrow section of the key holes. Secure the decorative plate by tightening the 2 screws loosened and the one removed previously. (Fig. 15)
3. Place the decorative cover and decorative nut onto the threaded tube of decorative plate and secure tightly. (Fig. 15)

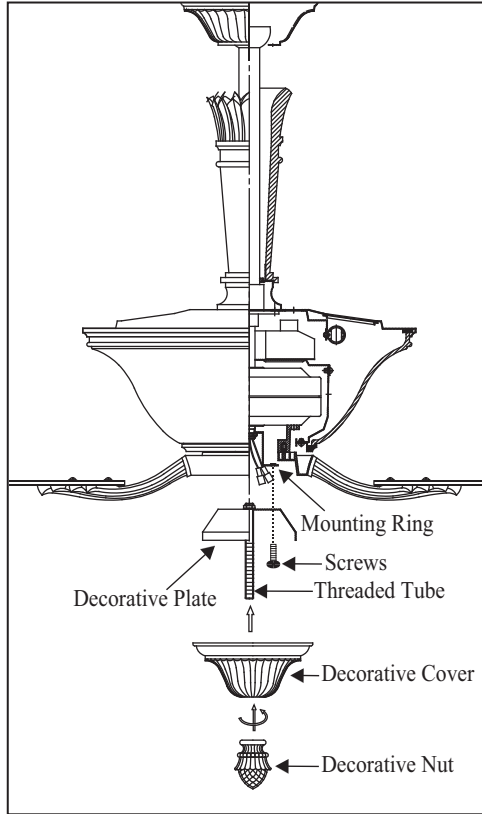


Figure 15

Interior Bulb Replacement

REMEMBER to turn off the power.

1. Remove the 2 screws from the bulb access cover and take the bulb access cover off from the top decorative housing as shown in Figure 16.
2. Replace the defective bulb (15W, 120V AC CANDELABRA base). Place the bulb access cover back to the top decorative housing and secure the screws in position.

NOTE

LIGHT BULBS HAVE NO WARRANTY, CAN BE PURCHASED AT LOCAL LIGHT BULB SPECIALTY STORE OR FROM OUR SERVICE CENTER.

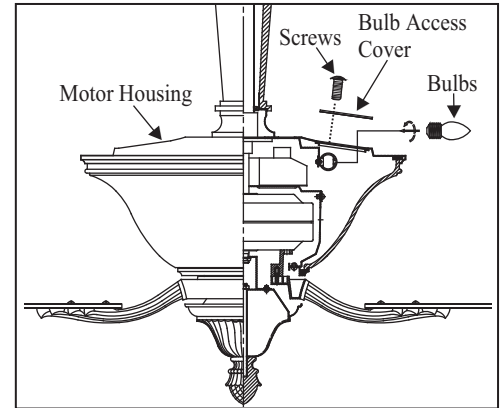


Figure 16

Operating Your Transmitter

1. The receiver frequency selector is located on the top of the motor assembly plate as show in Fig. 17.
2. The transmitter frequency selector is located in the battery compartment as shown in Fig. 17. Each frequency selector has 4 switches, you may use any number of possible combinations but you must set each switch in the transmitter to match the same switch in the receiver.

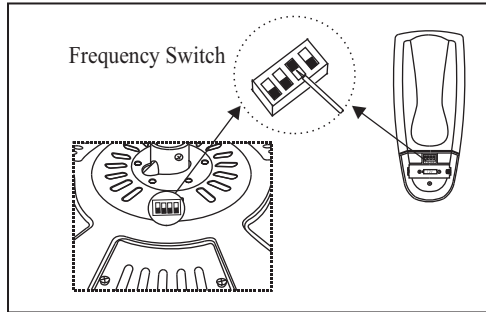


Figure 17

Installing the Battery

Install **12V MN21/A23** battery (included), to prevent damage to transmitter, remove the battery if not used for long periods (Figure 18).

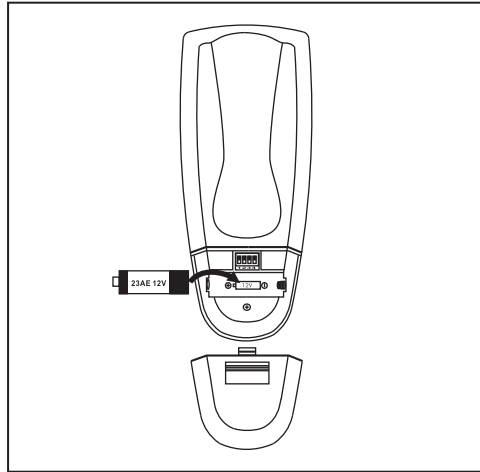


Figure 18

Restore power to the ceiling fan and test for proper operation.

1. **"HI, MED, LOW"** buttons:
These three buttons are used to set the fan speed as follows:
LOW=Low speed,
MED=Medium speed
HI=High speed
2. **"OFF"** button:
This button turns the fan off.
3. The "💡" button turns the light ON or OFF and also controls the brightness setting. Press and release the button to turn the light ON or OFF. Press and hold the button to set the desired brightness. The light button has an auto-resume, it will stay at the same brightness as the last time it was turned off.

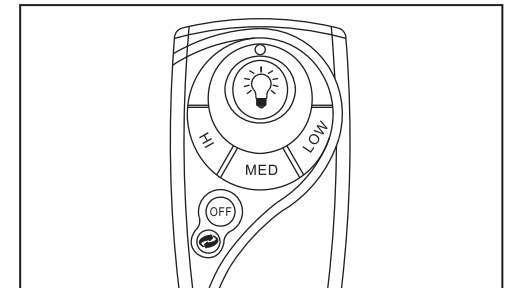


Figure 19

4. The "↻": button is used to set the fan forward or reverse, press the button forward (for warm weather) or reverse (for cool weather) or reverse (for cool weather)

Speed settings for warm or cool weather depend on factors such as the room size, ceiling height, number of fans, etc.

NOTE

TO OPERATE THE REVERSE FUNCTION ON THIS FAN, PRESS THE REVERSE BUTTON WHILE THE FAN IS RUNNING.

Warm weather - (Counter-Clockwise direction)

A downward air flow creates a cooling effect.(Fig. 20) This allows you to set your air conditioner on a higher setting without affecting your comfort.

Cool weather - (Clockwise direction) An upward

airflow moves warm air off the ceiling area. (Fig. 21) This allows you to set your heating unit on a lower setting without affecting your comfort.

NOTE

FAN MUST BE INSTALLED AT A MAXIMUM DISTANCE OF 20 FEET FROM THE TRANSMITTING UNIT FOR PROPER SIGNAL TRANSMISSION BETWEEN THE TRANSMITTING UNIT AND THE FAN'S RECEIVING UNIT.

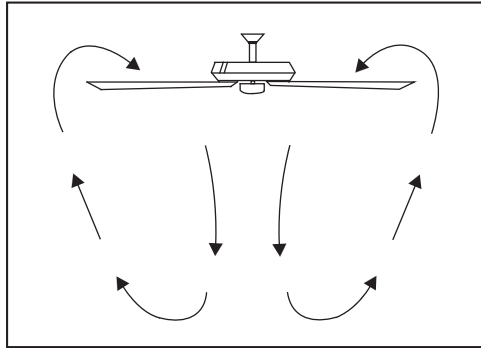


Figure 20

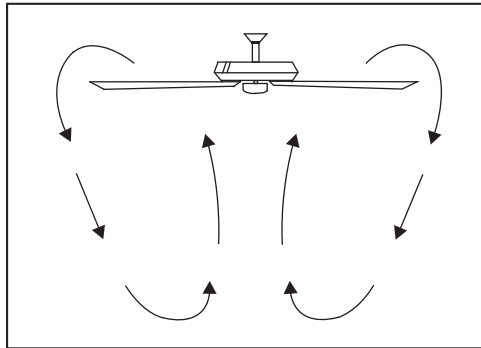


Figure 21

Care of Your Fan Troubleshooting

Here are some suggestions to help you maintain your fan.

1. Because of the fan's natural movement, some connections may become loose. Check the support connections, brackets, and blade attachments twice a year. Make sure they are secure. (It is not necessary to remove fan from ceiling.)
2. Clean your fan periodically to help maintain its new appearance over the years. Do not use water when cleaning. Use only a soft brush or lint-free cloth to avoid scratching the finish. The plating is sealed with a lacquer to minimize discoloration or tarnishing. Do not use water when cleaning. This could damage the motor, or the wood, or possibly cause an electrical shock.
3. You can apply a light coat of furniture polish to the wood blades for additional protection and enhanced beauty. Cover small scratches with a light application of shoe polish.
4. There is no need to oil your fan. The motor has permanently lubricated sealed ball bearings.

PROBLEM SOLUTION

Fan will not start

1. Check main and branch circuit fuses or breakers.
2. Check line wire connections to the fan and switch wire connections in the switch housing.
3. Check to make sure the dip switches from the transmitter and receiver are set to the same frequency.

Fan sounds noisy

1. Make sure all motor housing screws are snug.
2. Make sure the screws that attach the fan blade bracket to the motor hub is tight.
3. Make sure wire nut connections are not rattling against each other or the interior wall of the switch housing.
4. Allow a 24-hour "breaking-in" period. Most noises associated with a new fan disappear during this time.
5. If using an optional light kit, make sure the screws securing the glassware are tight. Check that the light bulb is also secure.
6. Make sure the upper canopy has a short distance from the ceiling. It should not touch the ceiling.
7. Make sure your ceiling box is secure and rubber isolator pads are used between mounting bracket and outlet box.

Remote control

1. Do not connect the fan with a wall mounted variable speed control(s).
2. Make sure the dip switches are set correctly.

WARNING

MAKE SURE THE POWER IS OFF AT THE ELECTRICAL PANEL BOX BEFORE YOU ATTEMPT ANY REPAIRS. REFER TO THE SECTION, "MAKING ELECTRICAL CONNECTIONS".

Specifications

FAN SIZE	SPEED	VOLTS	AMPS	WATTS	RPM	CFM	N.W.	G.W.	C.F.
52"	LOW	120	0.27	18	65	2005	13.5 kgs (29.6 Ibs)	15.7 kgs (34.5 Ibs)	2.94'
	MED.		0.42	38	105	3946			
	HIGH		0.58	75	160	6125			

These are approximate measures. They do not include Amps and Wattage used by the light kit .

Lifetime Limited Warranty

(lifetime warranty on motor)

The Hampton Bay warrants the fan motor to be free from defects in workmanship and material present at time of shipment from the factory for a period of lifetime after the date of purchase by the original purchaser. Hampton Bay also warrants that all other fan parts, excluding any glass or acrylic blades, to be free from defects in workmanship and material at the time of shipment from the factory for a period of one year after the date of purchase by the original purchaser. We agree to correct such defects without charge or at our option replace with a comparable or superior model if the product is returned to Hampton Bay. To obtain warranty service, you must present a copy of the receipt as proof of purchase. All costs of removing and reinstalling the product are your responsibility. Damage to any part such as by accident or misuse or improper installation or by affixing any accessories, is not covered by this warranty. Because of varying climatic conditions this warranty does not cover any changes in brass finish, including rusting, pitting, corroding, tarnishing or peeling. Brass finishes of this type give their longest useful life when protected from varying weather conditions. A certain amount of “wobble” is normal and should not be considered a defect. Servicing performed by unauthorized persons shall render the warranty invalid. There is no other express warranty. Hampton Bay hereby disclaims any and all warranties, including but not limited to. Those of merchantability and fitness for a particular purpose to the extent permitted by law. The duration of any implied warranty which cannot be disclaimed is limited to the time period as specified in the express warranty. Some states do not allow limitation on how long an implied warranty lasts, so the above limitation may not apply to you. The retailer shall not be liable for incidental, consequential, or special damages arising out of or in connection with product use or performance except as may otherwise be accorded by law. Some states do not allow the exclusion of incidental or consequential damages, so the above exclusion or limitation may not apply to you. This warranty gives specific legal rights, and you may also have other rights which vary from state to state. This warranty supersedes all prior warranties. Shipping costs for any return of product as part of a claim on the warranty must be paid by the customer.

You must present a copy of the original purchase receipt to obtain warranty service.

Ceiling Fan Parts & Service Department
16040 North 59th Avenue
Glendale, AZ 85306-2350

Attach receipt here for easy location